

PWM Controller with Adjustable Skip Level and External Latch Input



SOIC-7
D SUFFIX
CASE 751U

NCP1219

The NCP1219 represents a new, pin to pin compatible, generation of the successful 7-pin current mode NCP12XX product series. The controller allows for excellent standby power consumption by use of its adjustable skip mode and integrated high voltage startup FET. Internal frequency jittering, ramp compensation, timer-based fault detection and a latch input make this controller an excellent candidate for converters where ruggedness and component cost are the key constraints.

The Dynamic Self Supply (DSS) drastically simplifies the transformer design in avoiding the use of an auxiliary winding to supply the NCP1219. This feature is particularly useful in applications where the output voltage varies during operation (e.g. battery chargers). Due to its high voltage technology, the IC can be directly connected to the high voltage dc rail.

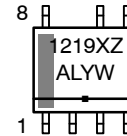
Features

- Fixed-Frequency Current-Mode Operation with Ramp Compensation (65 kHz and 100 kHz Options)
- Dynamic Self Supply Eliminates the Need for an Auxiliary Winding
- Timer-Based Fault Protection for Improved Overload Detection
- Cycle Skip Reduces Input Power in Standby Mode
- Latch and Auto-Recovery Overload Protection Options
- Internal High Voltage Startup Circuit
- Accurate Current Limit Detector ($\pm 5\%$)
- Adjustable Skip Level
- Latch Input for Easy Implementation of Overvoltage and Overtemperature Protection
- Frequency Modulation for Softened EMI Signature
- 500 mA/800 mA Peak Source/Sink Current Drive Capability
- Pin to Pin Compatible with the Existing NCP12XX Series
- These Devices are Pb-Free and Halogen Free/BFR Free*

Typical Applications

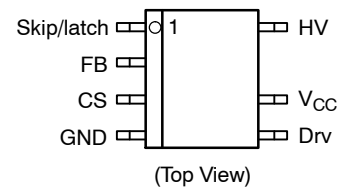
- AC-DC Adapters for Notebooks, LCD Monitors
- Offline Battery Chargers
- Consumer Electronic Appliances STB, DVD, DVDR

MARKING DIAGRAM



- 1219 = Specific Device Code
- X = Overcurrent
(A = latch, B = auto-retry)
- Z = Frequency
(6 = 65 kHz, 1 = 100 kHz)
- A = Assembly Location
- L = Wafer Lot
- Y = Year
- W = Work Week
- = Pb-Free Package

PIN CONNECTIONS



ORDERING INFORMATION

See detailed ordering and shipping information in the package dimensions section on page 19 of this data sheet.

NCP1219

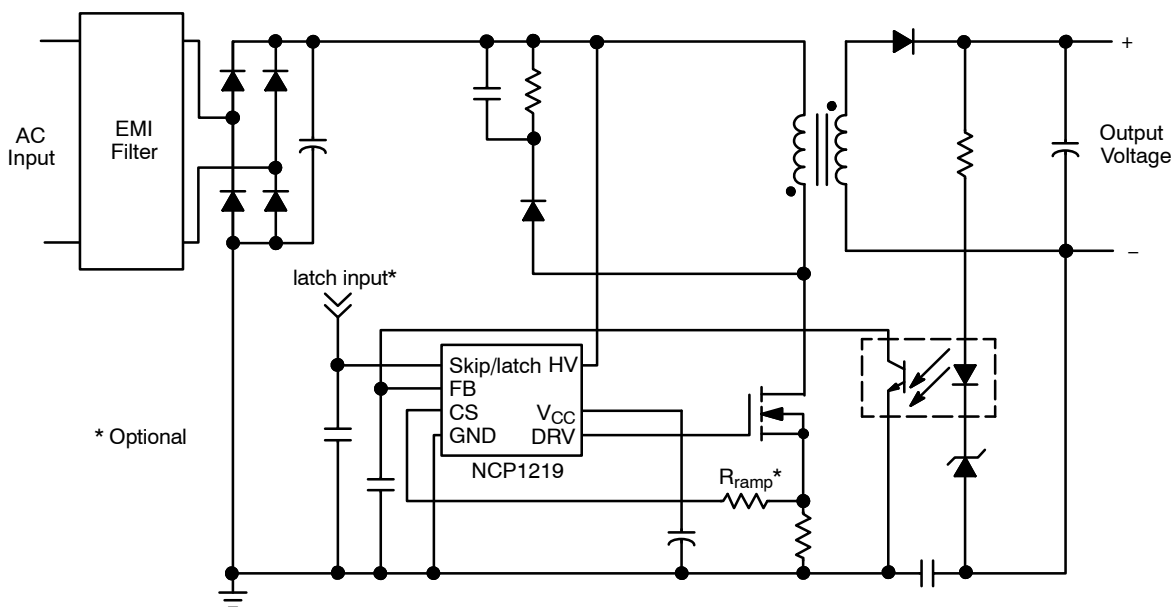


Figure 1. Typical Application Circuit

NCP1219

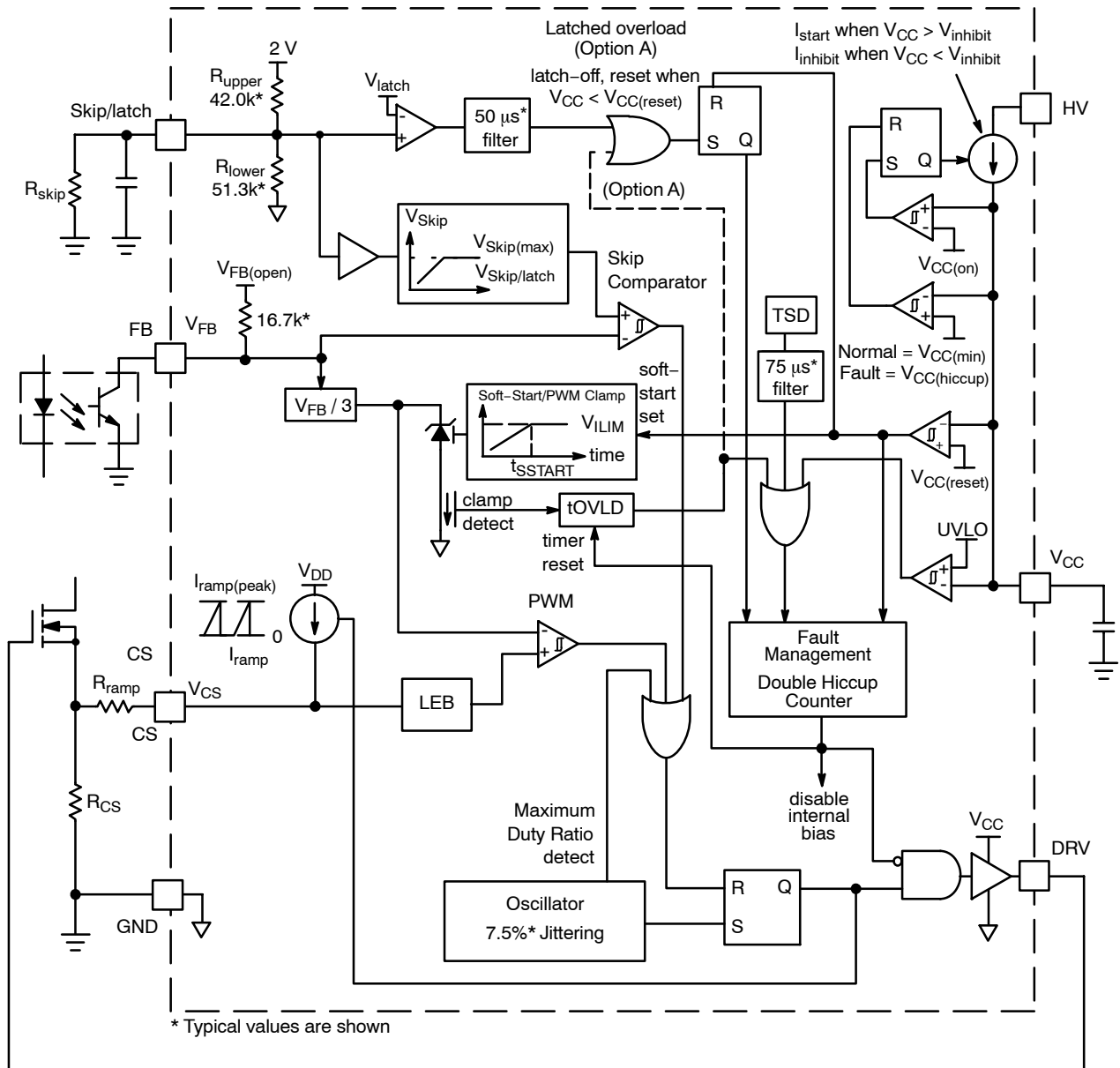


Figure 2. Functional Block Diagram

NCP1219

Table 1. PIN FUNCTION DESCRIPTION

| Pin | Name | Description |
|-----|------------|---|
| 1 | Skip/latch | This pin provides a latch input to permanently disable the device under a fault condition. It also allows the user to adjust the skip threshold. A resistor between this pin and GND provides noise immunity to the latch input and sets the skip threshold. The voltage on this pin is determined by the combination of the internal voltage divider and the external resistor to ground. The default skip threshold is 1.1 V (typical) if no external resistor is used. An internal clamp prevents the skip level from increasing above 1.3 V if the Skip/latch pin is pulled high to latch the controller. |
| 2 | FB | The voltage on this pin is proportional to the output load on the converter. An internal resistor divider sets the voltage on this pin above the regulation threshold (3 V) and an external optocoupler pulls the pin low to achieve regulation. While the FB voltage is above its regulation threshold, the overload timer is enabled. If the overload timer expires, the controller enters a double hiccup mode (option B) or is latched (option A) depending on the version of the device. The converter enters skip mode if the FB voltage is below the skip threshold. |
| 3 | CS | A voltage ramp proportional to the primary current is applied to this pin. The maximum current is reached once the ramp voltage reaches 1 V (typical). A 100 μ A (typical) current source provides ramp compensation. The amount of ramp compensation is adjusted with a series resistor between the CS pin and the current sense resistor. |
| 4 | GND | Analog ground. |
| 5 | DRV | Main output of the PWM Controller. DRV has a source resistance of 12.6 Ω (typical) and a sink resistance of 6.7 Ω (typical). |
| 6 | VCC | Positive input supply. This pin connects to an external capacitor for energy storage. An internal current source supplies current from the HV pin to this pin. Once the V_{CC} voltage reaches $V_{CC(on)}$ (12.7 V typical), the current source turns off and the DRV is enabled. The current source turns on once V_{CC} falls to $V_{CC(min)}$ (9.9 V typical). This mode of operation is known as dynamic self supply (DSS). If the bias current consumption exceeds the startup current, and V_{CC} drops 0.5 V (typical) below $V_{CC(min)}$ the converter turns off and enters a double hiccup mode. If the V_{CC} voltage is below 0.67 V (typical) the startup current is reduced to 200 μ A (typical), reducing power dissipation. |
| 8 | HV | This is the input of the high voltage startup regulator and connects directly to the bulk voltage. A controlled current source supplies current from this pin to the V_{CC} capacitor, eliminating the need for an external startup resistor. The charge current is 12.8 mA (typical). |

NCP1219

Table 2. MAXIMUM RATINGS (Notes 1 – 4)

| Rating | Symbol | Value | Unit |
|---|--|----------------------------|------------------|
| HV Voltage | V_{HV} | -0.3 to 500 | V |
| HV Current | I_{HV} | 100 | mA |
| Supply Voltage | V_{CC} | -0.3 to 20 | V |
| Supply Current | I_{CC} | 100 | mA |
| Skip/latch Voltage | $V_{Skip/latch}$ | -0.3 to 9.5 | V |
| Skip/latch Current | $I_{Skip/latch}$ | 100 | mA |
| FB Voltage | V_{FB} | -0.3 to 5.0 | V |
| FB Current | I_{FB} | 100 | mA |
| CS Voltage | V_{CS} | -0.3 to 5.0 | V |
| CS Current | I_{CS} | 100 | mA |
| DRV Voltage | V_{DRV} | -0.3 to 20 | V |
| DRV Current | I_{DRV} | -500 to 800 | mA |
| Operating Junction Temperature | T_J | -40 to 150 | °C |
| Storage Temperature Range | T_{stg} | -60 to 150 | °C |
| Power Dissipation ($T_A = 25^\circ\text{C}$, 2.0 Oz Cu, 1.0 Sq Inch Printed Circuit Copper Clad) D Suffix, Plastic Package Case 751U (SOIC-7) (Note 4) | P_D | 0.92 | W |
| Thermal Resistance, Junction to Ambient (2.0 Oz Cu Printed Circuit Copper Clad) D Suffix, Plastic Package Case 751U (SOIC-7) Junction to Air, Low conductivity PCB (Note 3) Junction to Lead, Low conductivity PCB (Note 3) Junction to Air, High conductivity PCB (Note 4) Junction to Lead, High conductivity PCB (Note 4) | $R_{\theta JA}$ $R_{\theta JL}$ $R_{\theta JA}$ $R_{\theta JL}$ | 177 75 136 69 | °C/W |
| ESD Protection Human Body Model ESD Pins 1-6 Human Body Model ESD Pin 8 Machine Model ESD Pins 1-6 Charged Device Model ESD | HBM HBM MM CDM | 3000 500 300 1000 | V V V V |

Stresses exceeding those listed in the Maximum Ratings table may damage the device. If any of these limits are exceeded, device functionality should not be assumed, damage may occur and reliability may be affected.

- ESD protection per JEDEC JESD22-A114-F for HBM, per JEDEC JESD22-A115-A for MM, and per JEDEC JESD22-C101D for CDM. Pin 8 is the HV startup of the device and is rated to the maximum rating of the part, or 500 V.
- This device contains Latch-Up protection and exceeds ± 100 mA per JEDEC Standard JESD78.
- As mounted on a 40x40x1.5 mm FR4 substrate with a single layer of 80 mm² of 2 oz copper traces and heat spreading area. As specified for a JEDEC 51 low conductivity test PCB. Test conditions were under natural convection or zero air flow.
- As mounted on a 40x40x1.5 mm FR4 substrate with a single layer of 650 mm² of 2 oz copper traces and heat spreading area. As specified for a JEDEC 51 high conductivity test PCB. Test conditions were under natural convection or zero air flow.

NCP1219

Table 3. ELECTRICAL CHARACTERISTICS ($V_{HV} = 60\text{ V}$, $V_{CC} = 11.3\text{ V}$, $V_{FB} = 2\text{ V}$, $V_{Skip/latch} = 0\text{ V}$, $V_{CS} = 0\text{ V}$, $V_{DRV} = \text{open}$, $C_{CC} = 0.1\text{ }\mu\text{F}$, for typical values $T_J = 25^\circ\text{C}$, for min/max values, T_J is -40°C to 125°C , unless otherwise noted)

| Characteristics | Conditions | Symbol | Min | Typ | Max | Unit |
|---|---|--------------------|-------|-----------|-------|------------------|
| STARTUP AND SUPPLY CIRCUITS | | | | | | |
| Supply Voltage | | | | | | V |
| Startup Threshold | V_{CC} Increasing | $V_{CC(on)}$ | 11.2 | 12.7 | 13.8 | |
| Minimum Operating Voltage | V_{CC} Decreasing | $V_{CC(MIN)}$ | 9.0 | 9.9 | 10.8 | |
| Undervoltage Lockout | V_{CC} Decreasing | UVLO | 8.4 | 9.4 | 10.6 | |
| Double Hiccup Threshold | V_{CC} Decreasing | $V_{CC(hiccup)}$ | 4.9 | 5.7 | 6.3 | |
| Logic Reset Voltage | V_{CC} Decreasing | $V_{CC(reset)}$ | – | 4.0 | – | |
| UVLO Filter Delay | | $t_{UVLO(delay)}$ | – | 50 | – | μs |
| Inhibit Threshold Voltage | $I_{inhibit} = 500\text{ }\mu\text{A}$ | $V_{inhibit}$ | 0.35 | 0.67 | 0.90 | V |
| Inhibit Bias Current | $V_{CC} = 0\text{ V}$ | $I_{inhibit}$ | 100 | 200 | 350 | μA |
| Minimum Startup Voltage | $I_{start} = 0.5\text{ mA}$, $V_{CC} = V_{CC(on)} - 0.5\text{ V}$ | $V_{start(min)}$ | – | 20 | 28 | V |
| Startup Current | $V_{CC} = V_{CC(on)} - 0.5\text{ V}$ | I_{start} | 5.5 | 12.8 | 18.5 | mA |
| Startup Circuit Reverse Current | $V_{HV} = 0\text{ V}$, $V_{CC} = 14\text{ V}$ | $I_{HV(reverse)}$ | – | – | 100 | μA |
| Off-State Leakage Current | $V_{HV} = 500\text{ V}$, $V_{CC} = 14\text{ V}$ | $I_{HV(off)}$ | – | 12 | 50 | μA |
| Breakdown Voltage (Note 5) | $I_{HV} = 50\text{ }\mu\text{A}$ | $V_{BR(DS)}$ | 500 | – | – | V |
| Supply Current | | | | | | mA |
| Device Disabled/Fault | $V_{Skip/latch} = 5.2\text{ V}$, $V_{FB} = \text{open}$ | I_{CC1} | – | 0.6 | 0.8 | |
| Device Enabled/No Switching | $V_{Skip/latch} = \text{open}$, $V_{FB} = 0\text{ V}$ | I_{CC2} | – | 1.4 | 2.1 | |
| Device Switching (65 kHz) | $V_{Skip/latch} = \text{open}$, $C_{DRV} = 1000\text{ pF}$ | I_{CC3A} | – | 2.2 | 2.7 | |
| Device Switching (100 kHz) | $V_{Skip/latch} = \text{open}$, $C_{DRV} = 1000\text{ pF}$ | I_{CC3B} | – | 2.4 | 3.2 | |
| CURRENT SENSE | | | | | | |
| Current Sense Voltage Threshold | Apply voltage step on CS pin | V_{ILIM} | 0.95 | 1.0 | 1.05 | V |
| Leading Edge Blanking Duration | | t_{LEB} | 100 | 184 | 330 | ns |
| Propagation Delay | $V_{CS} > V_{ILIM}$ to 50% DRV turns off, $C_{DRV} = 1000\text{ pF}$ | t_{delay} | – | 59 | 150 | ns |
| Ramp Compensation Peak Current | | $I_{ramp(peak)}$ | – | 100 | – | μA |
| Ramp Compensation Valley Current | | $I_{ramp(valley)}$ | – | 0 | – | μA |
| FEEDBACK INPUT | | | | | | |
| Open Feedback Voltage | | $V_{FB(open)}$ | 3.2 | 3.6 | 3.9 | V |
| Internal Pull-up Resistance | | R_{FB} | – | 16.7 | – | $\text{k}\Omega$ |
| Feedback Pull-up Current | $V_{FB} = 0\text{ V}$ | I_{FB} | 141 | 280 | 392 | μA |
| Feedback to Current Set Point Ratio | | I_{ratio} | – | 3.0 | – | |
| SOFT-START | | | | | | |
| Soft-Start Period | Measured at $0.9 V_{ILIM}$ | t_{SSTART} | – | 4.8 | – | ms |
| OSCILLATOR | | | | | | |
| Oscillator Frequency | | f_{OSC} | | | | kHz |
| 65 kHz Option | $T_J = 25^\circ\text{C}$ | | 61.75 | 65 | 68.25 | |
| | $T_J = -40^\circ\text{C}$ to 85°C | | 58 | – | 71 | |
| | $T_J = -40^\circ\text{C}$ to 125°C | | 55 | – | 71 | |
| 100 kHz Option | $T_J = 25^\circ\text{C}$ | | 95 | 100 | 105 | |
| | $T_J = -40^\circ\text{C}$ to 85°C | | 89 | – | 107 | |
| | $T_J = -40^\circ\text{C}$ to 125°C | | 85 | – | 107 | |
| Frequency Modulation in Percentage of f_{OSC} | | | – | ± 7.5 | – | % |
| Frequency Modulation Period | | | – | 6.0 | – | ms |
| Maximum Duty Ratio | | D | 75 | 80 | 85 | % |

5. Guaranteed by the $I_{HV(off)}$ test.

6. Guaranteed by design only.

NCP1219

Table 3. ELECTRICAL CHARACTERISTICS ($V_{HV} = 60\text{ V}$, $V_{CC} = 11.3\text{ V}$, $V_{FB} = 2\text{ V}$, $V_{Skip/latch} = 0\text{ V}$, $V_{CS} = 0\text{ V}$, $V_{DRV} = \text{open}$, $C_{CC} = 0.1\text{ }\mu\text{F}$, for typical values $T_J = 25^\circ\text{C}$, for min/max values, T_J is -40°C to 125°C , unless otherwise noted)

| Characteristics | Conditions | Symbol | Min | Typ | Max | Unit |
|--|---|---------------------------|------------|-------------|----------|------------------|
| GATE DRIVE | | | | | | |
| Drive Resistance DRV Sink DRV Source | $V_{FB} = 0\text{ V}$, $V_{DRV} = 1\text{ V}$ $V_{DRV} = V_{CC} - 1\text{ V}$ | R_{SNK} R_{SRC} | 2.0 6.0 | 6.7 12.6 | 13 25 | Ω |
| Rise Time (10% to 90%) | $C_{DRV} = 1000\text{ pF}$ (10% to 90%) | t_r | – | 30 | – | ns |
| Fall Time (90% to 10%) | $C_{DRV} = 1000\text{ pF}$ (90% to 10%) | t_f | – | 20 | – | ns |
| LATCH INPUT | | | | | | |
| Latch Voltage Threshold | | V_{latch} | 3.4 | 3.9 | 4.6 | V |
| Latch Filter Delay | $V_{Skip/latch} = 5.2\text{ V}$, apply voltage step on Skip/latch pin | $t_{latch}(\text{delay})$ | – | 50 | – | μs |
| CYCLE SKIP | | | | | | |
| Default Skip Threshold | V_{FB} increasing, $V_{Skip/latch} = \text{Open}$ | V_{skip} | 0.9 | 1.1 | 1.3 | V |
| Skip Clamp Voltage | V_{FB} increasing, $V_{Skip/latch} = 2.0\text{ V}$ | $V_{skip}(\text{MAX})$ | 1.1 | 1.3 | 1.5 | V |
| Skip Comparator Hysteresis | V_{FB} decreasing, $V_{Skip/latch} = 0.5\text{ V}$ | $V_{skip}(\text{HYS1})$ | – | 75 | – | mV |
| Skip Clamp Comparator Hysteresis | V_{FB} decreasing, $V_{Skip/latch} = 2.0\text{ V}$ | $V_{skip}(\text{HYS2})$ | – | 75 | – | mV |
| Skip Current | $V_{Skip/latch} = 0\text{ V}$ | I_{skip} | 30 | 47 | 56 | μA |
| FAULTS PROTECTION | | | | | | |
| Thermal Shutdown (Note 6) | Temperature Increasing | T_{SHDN} | – | 155 | – | $^\circ\text{C}$ |
| Thermal Shutdown Hysteresis | Temperature Decreasing | $T_{SHDN}(\text{HYS})$ | – | 40 | – | $^\circ\text{C}$ |
| Thermal Shutdown Delay | | $T_{SHDN}(\text{delay})$ | – | 75 | – | μs |
| Overload Timer | Apply voltage step on FB pin | $t_{OVL D}$ | – | 118 | – | ms |

5. Guaranteed by the $I_{HV}(\text{off})$ test.

6. Guaranteed by design only.

TYPICAL CHARACTERISTICS

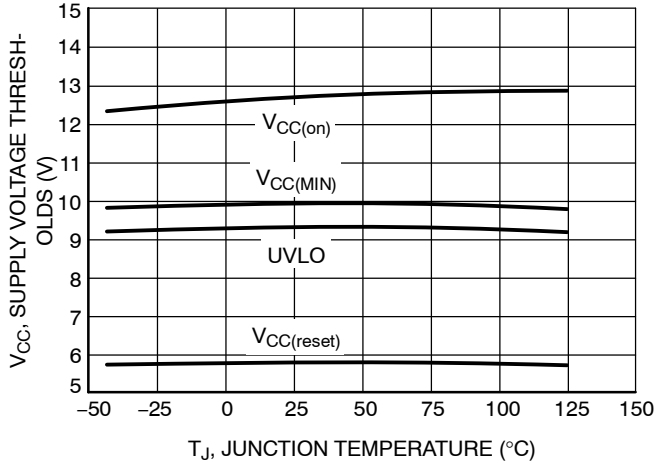


Figure 3. Supply Voltage Thresholds vs. Junction Temperature

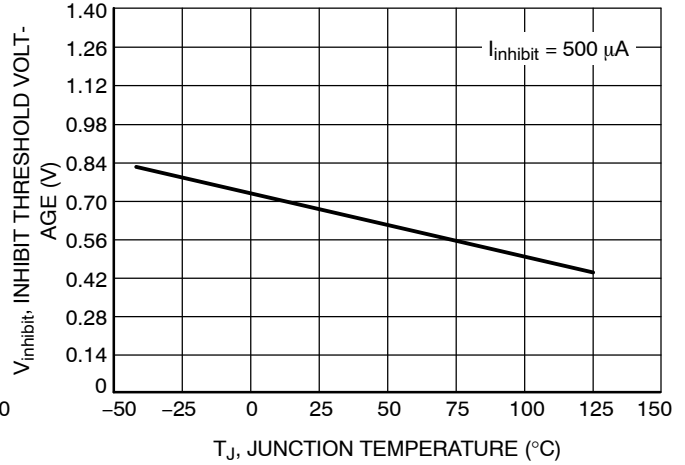


Figure 4. Inhibit Threshold Voltage vs. Junction Temperature

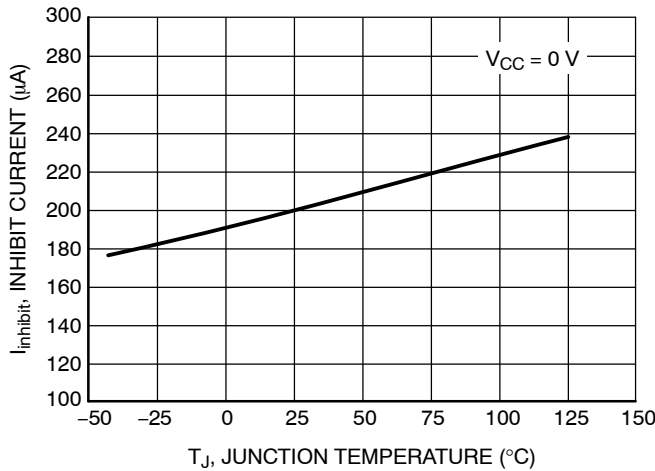


Figure 5. Inhibit Current vs. Junction Temperature

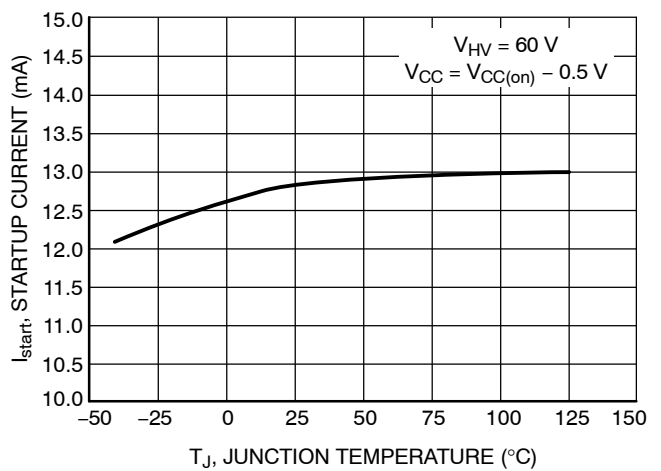


Figure 6. Startup Current vs. Junction Temperature

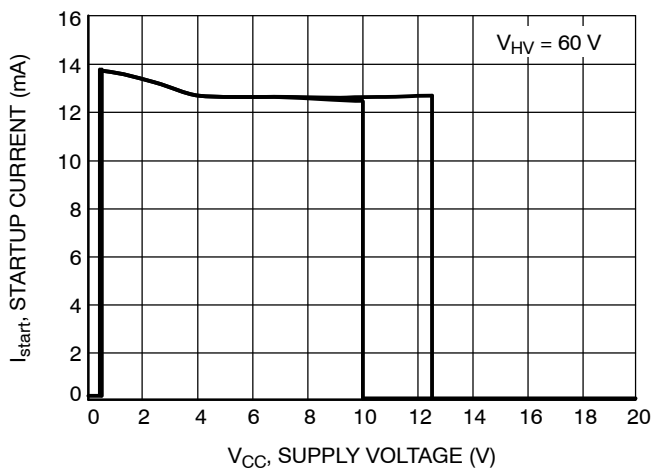


Figure 7. Startup Current vs. Supply Voltage

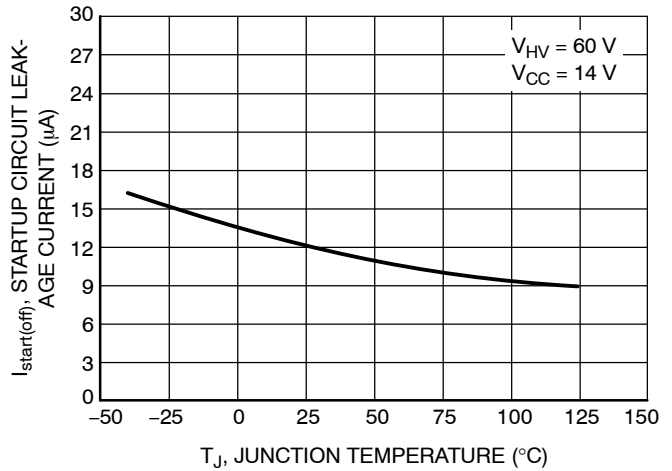


Figure 8. Startup Circuit Leakage Current vs. Junction Temperature

TYPICAL CHARACTERISTICS

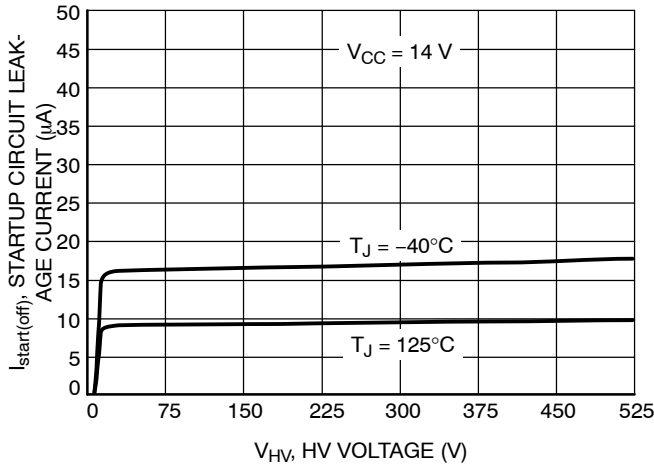


Figure 9. Startup Circuit Leakage Current vs. HV Voltage

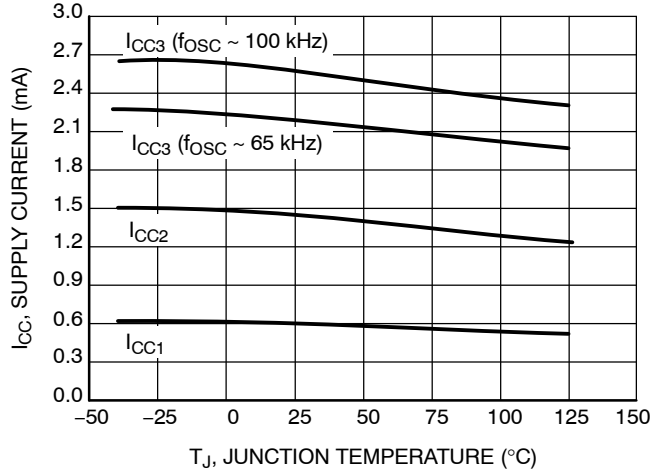


Figure 10. Supply Current vs. Junction Temperature

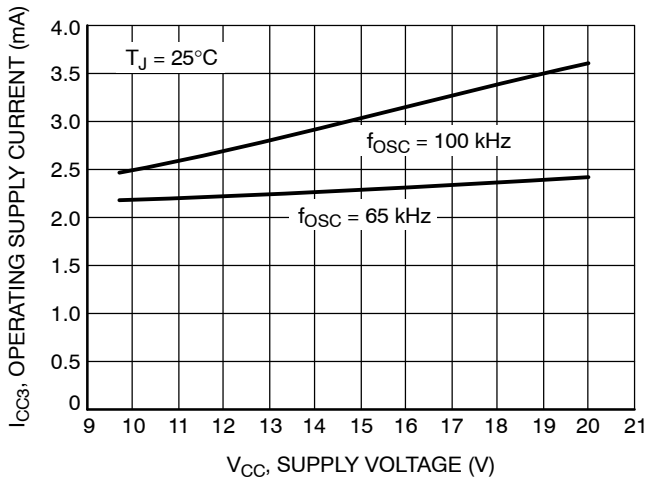


Figure 11. Operating Supply Current vs. Supply Voltage

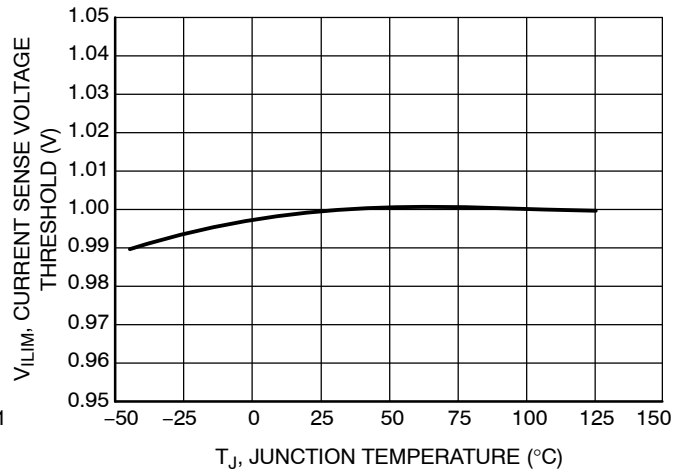


Figure 12. Current Sense Voltage Threshold vs. Junction Temperature

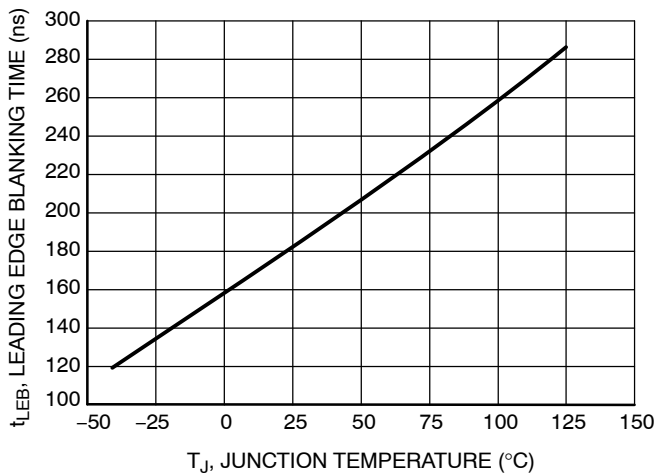


Figure 13. Leading Edge Blanking Time vs. Junction Temperature

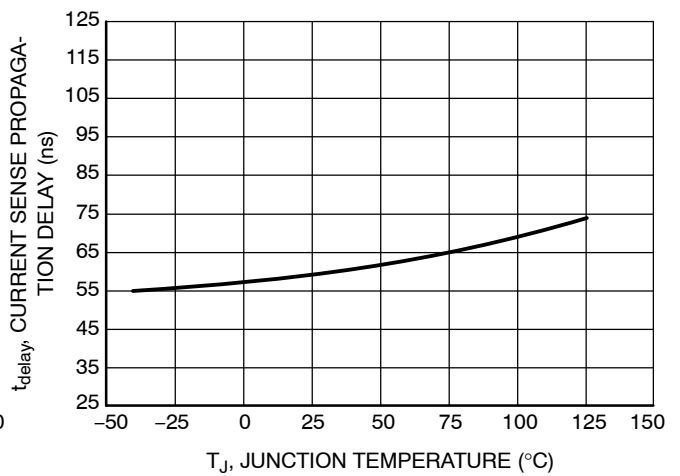


Figure 14. Current Sense Propagation Delay vs. Junction Temperature

TYPICAL CHARACTERISTICS

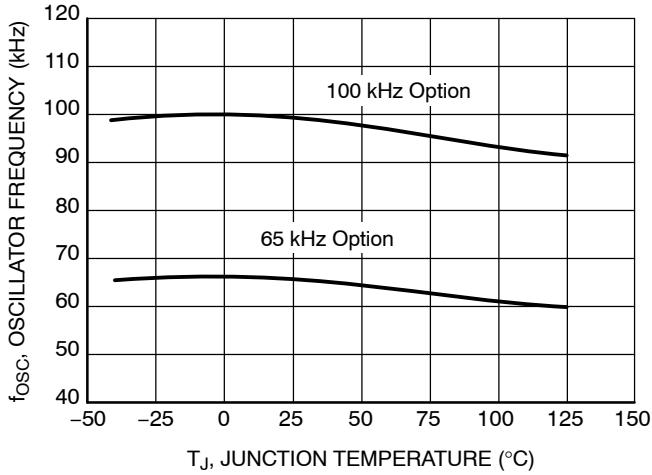


Figure 15. Oscillator Frequency vs. Junction Temperature

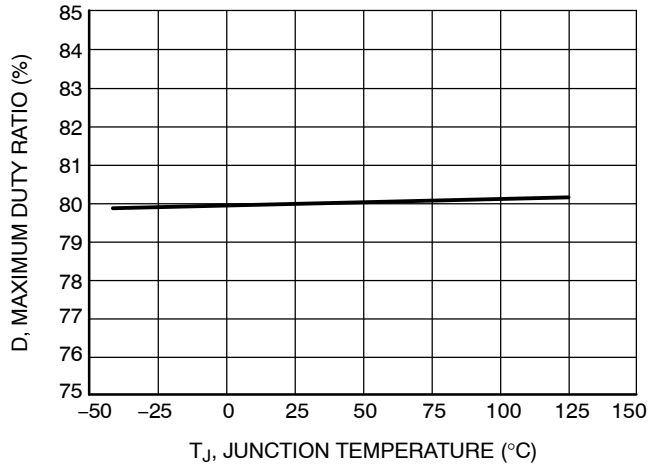


Figure 16. Maximum Duty Ratio vs. Junction Temperature

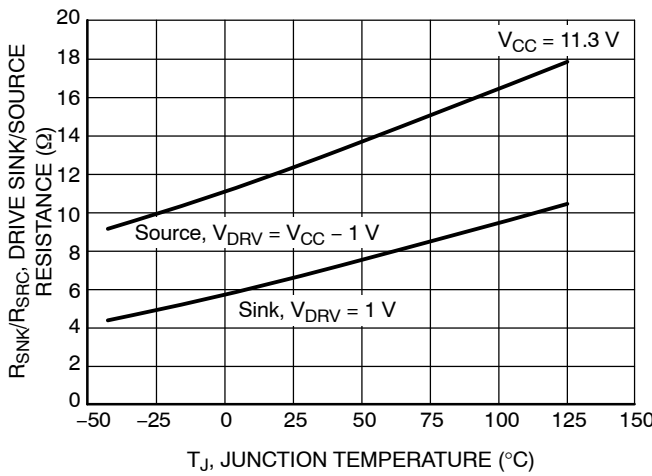


Figure 17. Drive Sink and Source Resistances vs. Junction Temperature

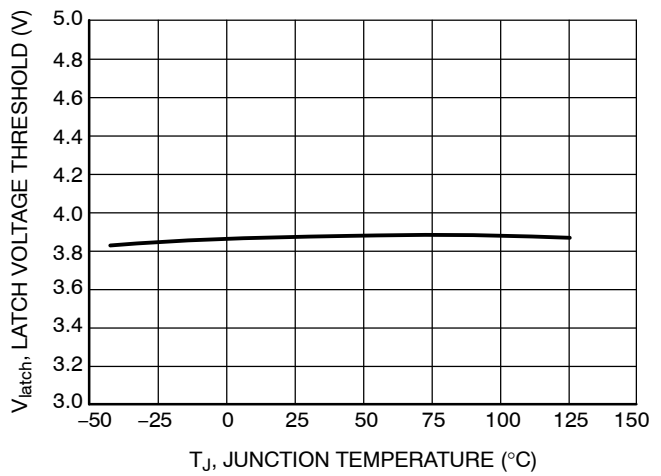


Figure 18. Latch Voltage Threshold vs. Junction Temperature

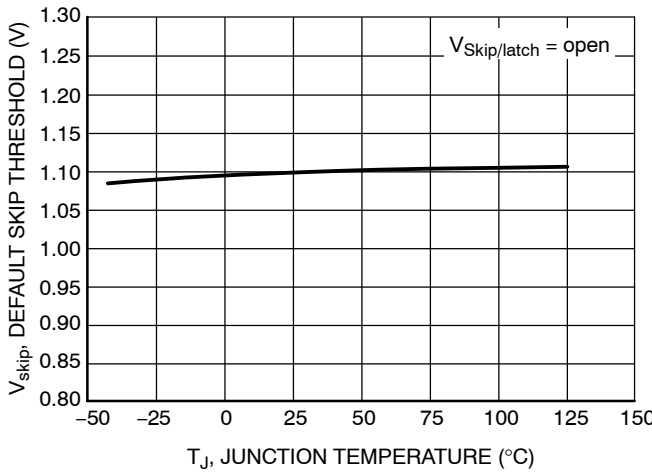


Figure 19. Default Skip Threshold vs. Junction Temperature

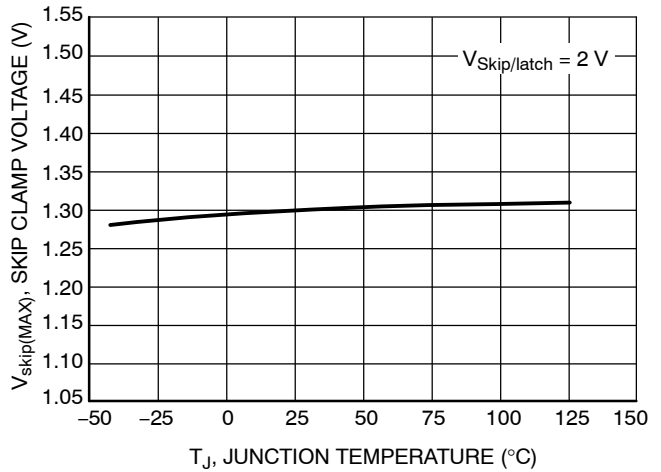


Figure 20. Skip Clamp Voltage vs. Junction Temperature

TYPICAL CHARACTERISTICS

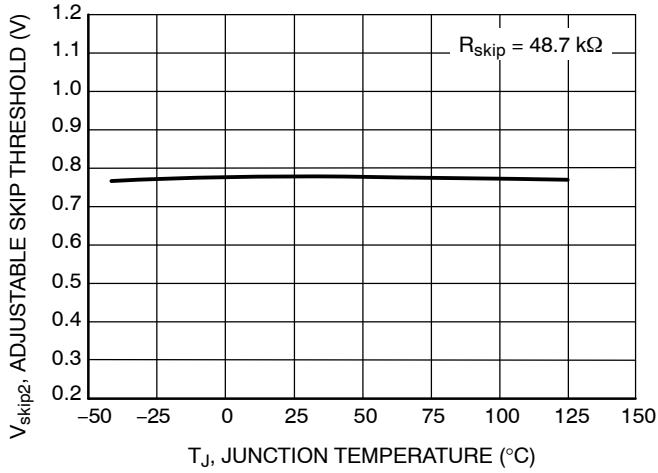


Figure 21. Adjustable Skip Threshold vs. Junction Temperature

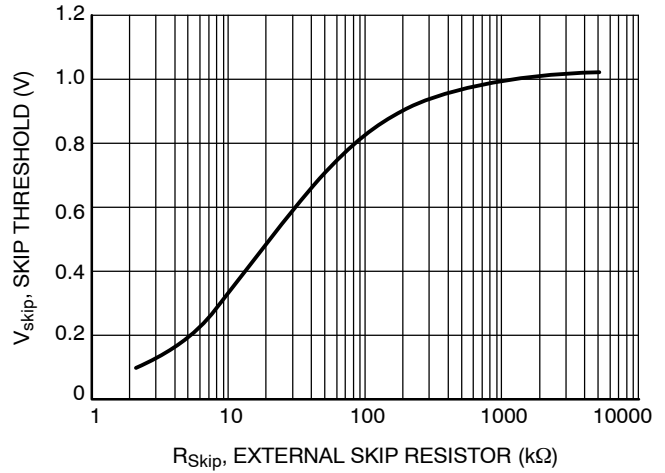


Figure 22. Skip Threshold vs. Skip Resistor

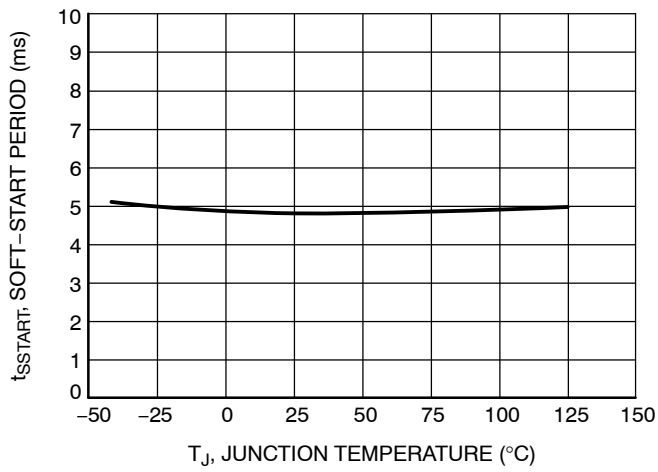


Figure 23. Soft-Start Period vs. Junction Temperature

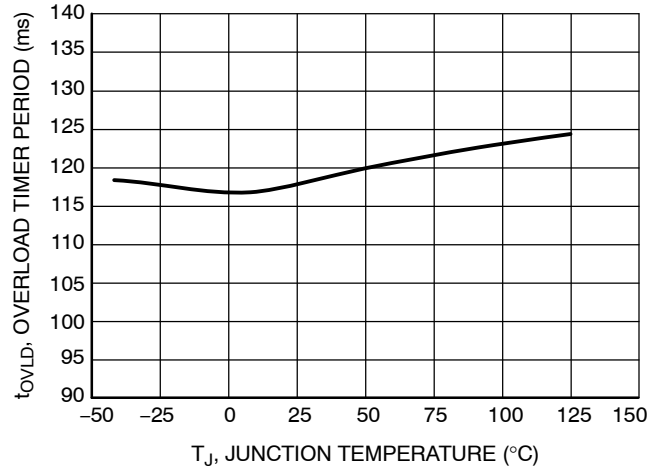


Figure 24. Overload Timer Period vs. Junction Temperature

DETAILED OPERATING DESCRIPTION

The NCP1219 is part of a product family of current mode controllers designed for ac–dc applications requiring low standby power. The controller operates in skip or burst mode at light load. Its high integration reduces component count resulting in a more compact and lower cost power supply. This device family has 2 options, A and B. Option A latches where as option B auto restarts after an overload fault.

The internal high voltage startup circuit with dynamic self supply (DSS) allows the controller to operate without an auxiliary supply, simplifying the transformer design. This feature is particularly useful in applications where the output voltage varies during operation (e.g. printer adapters).

Other features found in the NCP1219 are frequency jittering, adjustable ramp compensation, timer based fault detection and a dedicated latch input.

High Voltage Startup Circuit

The NCP1219 internal high voltage startup circuit eliminates the need for external startup components and provides a faster startup time compared to an external startup resistor. The startup circuit consists of a constant current source that supplies current from the HV pin to the supply capacitor on the V_{CC} pin (C_{CC}). The HV pin is rated at 500 V allowing direct connection to the bulk capacitor. The start–up current (I_{start}) is typically 12.8 mA.

The startup current source is disabled once the V_{CC} voltage reaches V_{CC(on)}, typically 12.7 V. The controller is then biased by the V_{CC} capacitor. The current source is enabled once the V_{CC} voltage decays to its minimum operating threshold (V_{CC(MIN)}) typically 9.9 V. If the

supply current consumption exceeds the startup current, V_{CC} will decay below V_{CC(MIN)}. The NCP1219 has an undervoltage lockout (UVLO) to prevent operation at low V_{CC} levels. The UVLO threshold is typically 9.4 V. The DRV signal is immediately disabled upon reaching UVLO. It is re–enabled if V_{CC} increases above UVLO before the 50 μs (typical) timer expires. Otherwise, the controller enters double hiccup mode.

The controller enters a double hiccup mode if an overload (option B), thermal shutdown, UVLO or latch fault is detected. A double hiccup fault disables the DRV signal, sets the controller in a low current mode and allows V_{CC} to discharge to V_{CC(hiccup)}, typically 5.7 V. This cycle is repeated twice to minimize power dissipation in external components during a fault event. Figures 25 and 26 show double hiccup mode operation with a fault occurring while the startup circuit is disabled and enabled, respectively. A soft–start sequence is initiated the second time V_{CC} reaches V_{CC(on)}. If the fault is present or the controller is latched upon reaching V_{CC(on)}, the controller stays in hiccup mode. During this mode, V_{CC} never drops below 4 V, the controller logic reset level. This prevents latched faults from being cleared unless power to the controller is completely removed (i.e. unplugging the supply from the AC line). There are two options available in the NCP1219, options A and B. Option A latches off after the overload timer expires if an overload fault is detected. In this case, V_{CC} cycles between V_{CC(on)} and V_{CC(hiccup)} without enabling the DRV signal until the power to the controller is reset. On the other hand, option B has auto–retry circuitry allowing the DRV signal to restart after a double hiccup sequence triggered by an overload condition.

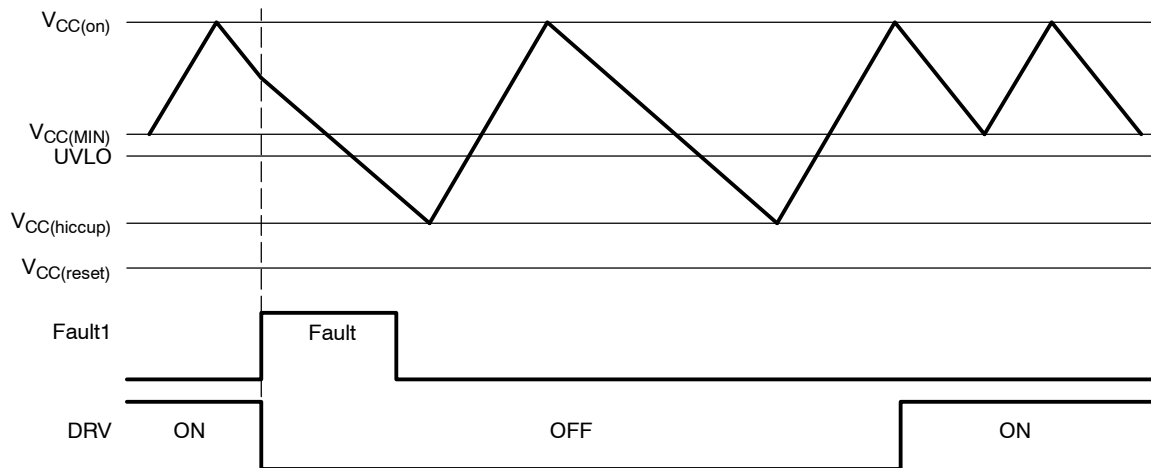


Figure 25. V_{CC} Double Hiccup Operation with a Fault Occurring While the Startup Circuit is Disabled.

NCP1219

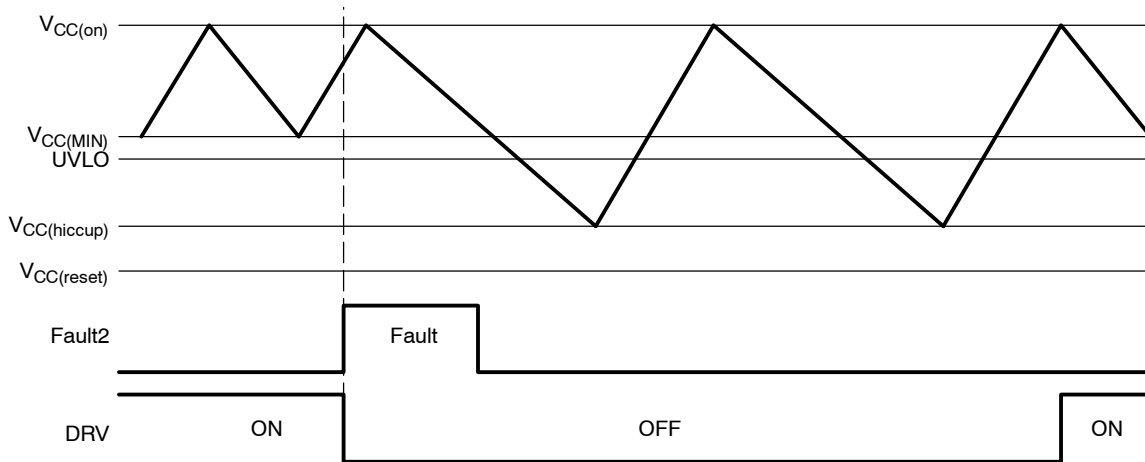


Figure 26. V_{CC} Double Hiccup Operation with a Fault Occurring While the Startup Circuit is Enabled

An internal supervisory circuit monitors the V_{CC} voltage to prevent the controller from dissipating excessive power if the V_{CC} pin is accidentally grounded. A lower level current source (I_{inhibit}) charges C_{CC} from 0 V to V_{inhibit}, typically 0.67 V. Once V_{CC} exceeds V_{inhibit}, the startup current source is enabled. This behavior is illustrated in Figure 27. This slightly increases the total time to charge V_{CC}, but it is generally not noticeable.

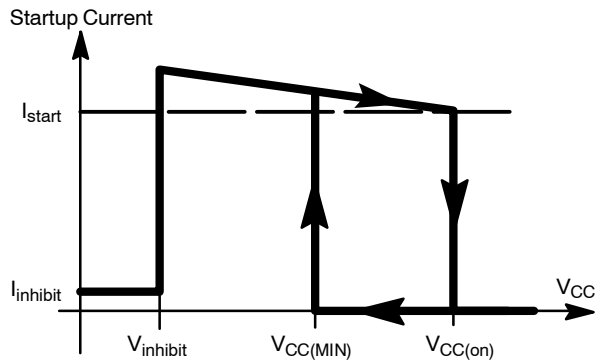


Figure 27. Startup Current at Various V_{CC} Levels

The start-up circuit is rated at a maximum voltage of 500 V. If the device operates in the DSS mode, power dissipation should be controlled to avoid exceeding the maximum power dissipation of the controller. If dissipation on the controller is excessive, a resistor can be placed in series with the HV pin. This will reduce power dissipation on the controller and transfer it to the series resistor.

Standby mode losses and normal mode power dissipation can be reduced by biasing the controller with an auxiliary winding. The auxiliary winding needs to maintain V_{CC} above V_{CC(MIN)} once the startup circuit is disabled.

The power dissipation of the controller when operated in DSS mode, P_{DSS}, can be calculated using equation 1, where I_{CC3} is the operating current of the NCP1219 during switching and V_{HV} is the voltage at the HV pin. The HV pin is most often connected to the bulk capacitor.

$$P_{DSS} = I_{CC3} \cdot (V_{HV} - V_{CC}) \quad (\text{eq. 1})$$

In comparison, the power dissipation when the startup circuit is disabled and V_{CC} is being supplied by the auxiliary winding is a function of the V_{CC} voltage. This is shown in Equation 2.

$$P_{AUX} = I_{CC3} \cdot V_{CC} \quad (\text{eq. 2})$$

It is recommended that an external filter capacitor be placed as close as possible to the V_{CC} pin to improve the noise immunity.

Soft-Start Operation

Figures 28 and 29 show how the soft-start feature is included in the pulse-width modulation (PWM) comparator. When the NCP1219 starts up, a soft-start voltage V_{SSTART} begins at 0 V. V_{SSTART} increases gradually from 0 V to 1.0 V in 4.8 ms and stays at 1.0 V afterward. V_{SSTART} is compared with the divided by 3 feedback pin voltage (V_{FB/3}). The lesser of V_{SSTART} and (V_{FB/3}) becomes the modulation voltage, V_{PWM}, in the PWM duty ratio generation. Initially, (V_{FB/3}) is above 1.0 V because the FB pin is brought to V_{FB(open)}, typically 3.6 V, by the internal pullup resistor. As a result, V_{PWM} is limited by the soft-start function and slowly ramps up the duty ratio (and therefore the primary current) for the initial 4.8 ms. This provides a greatly reduced stress on the power devices during startup.

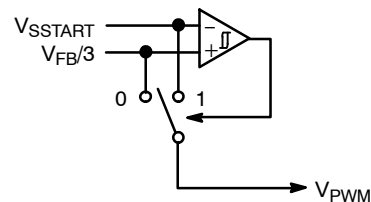


Figure 28. V_{PWM} is the lesser of V_{SSTART} and (V_{FB/3})

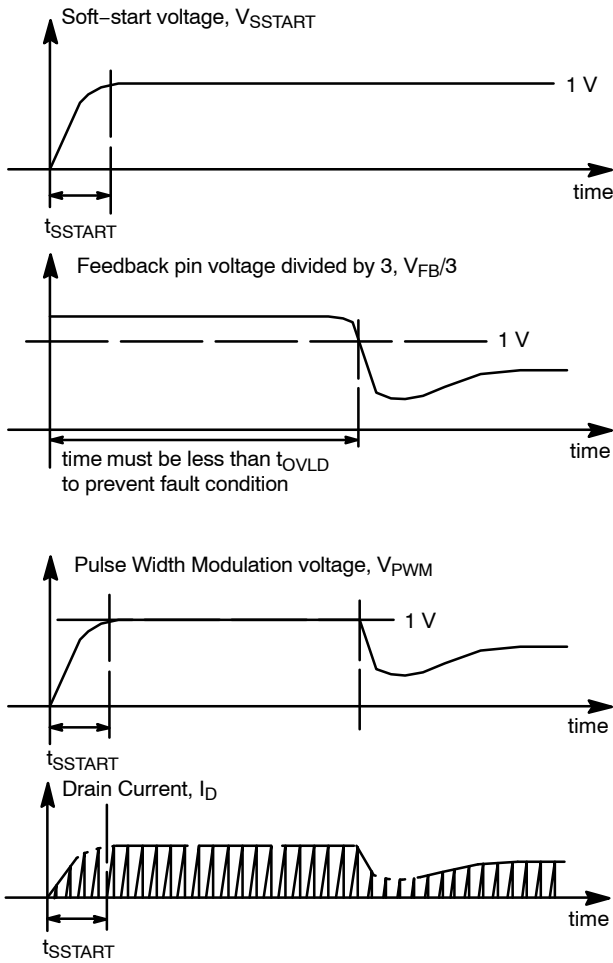


Figure 29. Soft-Start (Time = 0 at $V_{CC} = V_{CC(on)}$)

Current-Mode Pulse Width Modulation

The NCP1219 is a current-mode, fixed frequency pulse width modulation controller with ramp compensation. The PWM block of the NCP1219 is shown in Figure 30. The DRV signal is enabled by a clock pulse. At this time, current begins to flow in the power MOSFET and the sense resistor. A corresponding voltage is generated on the CS pin of the device, ranging from very low to as high as the maximum modulation voltage, V_{PWM} (maximum of 1 V). This sets the primary current on a cycle-by-cycle basis. Equation 3 gives the maximum drain current, $I_{D(MAX)}$, where R_{CS} is the current sense resistor value and V_{ILIM} is the current sense voltage threshold.

$$I_{D(MAX)} = \frac{V_{ILIM}}{R_{CS}} \quad (eq. 3)$$

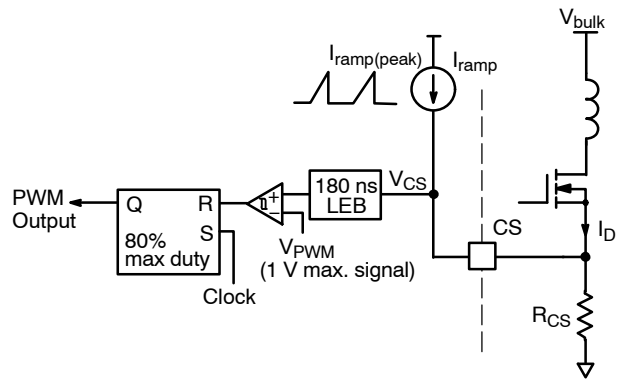


Figure 30. Current-Mode Implementation

Figure 31 shows the timing diagram for the current-mode pulse width modulation operation. An internal clock sets the output RS latch, pulling the DRV pin high. The latch is then reset when the voltage on the CS pin intersects the modulation voltage, V_{PWM} . This generates the duty ratio of the DRV pulse. The maximum duty ratio is internally limited to 80% (typical) by the output RS latch.

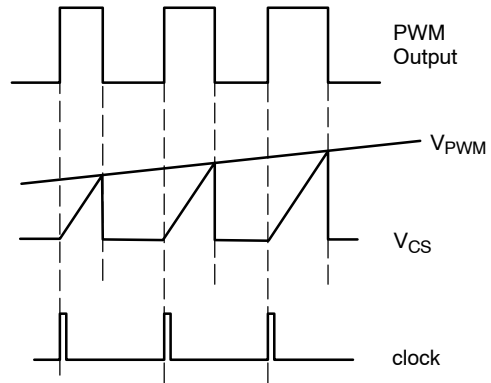


Figure 31. Current-Mode Timing Diagram

The V_{PWM} voltage is the scaled representation of the FB pin voltage. The scale factor, I_{ratio} , is 3. The FB pin voltage is provided by an external error amplifier, whose output is a function of the power supply output. An FB signal between V_{skip} and 3 V determines the duty ratio of the controller output. The FB voltage operates in a closed loop with the output voltage to regulate the power supply.

It is recommended that an external filter capacitor be placed as close to the FB pin as possible to improve the noise immunity.

Ramp Compensation

Ramp compensation is a known mean to cure subharmonic oscillations. These oscillations take place at half the switching frequency and occur only during continuous conduction mode (CCM) with a duty ratio greater than 50%. To lower the current loop gain, one usually injects 50 to 75% of the inductor current down slope. The NCP1219 generates an internal current ramp that is synchronized with the clock. This current ramp is then routed to the CS pin. Figures 32 and 33 depict how the ramp is generated and utilized. Ramp compensation is simply formed by placing a resistor, R_{ramp} , between the CS pin and the sense resistor.

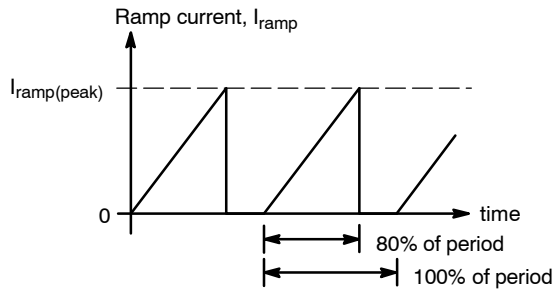


Figure 32. Internal Ramp Compensation Current Source

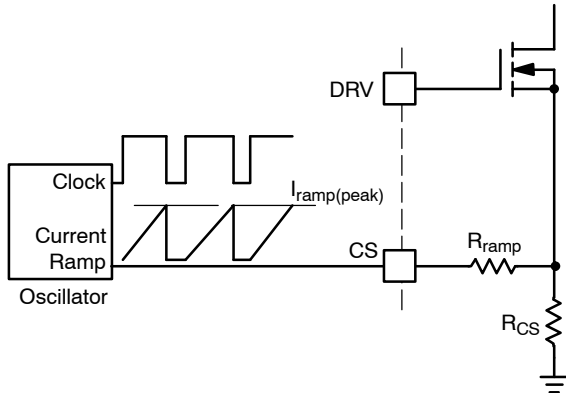


Figure 33. Inserting a Resistor in Series with the Current Sense Information Provides Ramp Compensation

In order to calculate the value of the ramp compensation resistor, R_{ramp} , the off time primary current slope, $S_{off,primary}$ must be calculated using Equation 4,

$$S_{off,primary} = \frac{(V_{out} + V_f) \cdot \left(\frac{N_p}{N_s}\right)}{L_p} \quad (eq. 4)$$

where V_{out} is the converter output voltage, V_f is the forward diode drop of the secondary diode, N_p/N_s is the primary to secondary turns ratio, and L_p is the primary inductance of the transformer. The value of R_{ramp} can be calculated using Equation 5,

$$R_{ramp} = \frac{(S_{off,primary} \times R_{CS}) \cdot \%slope}{\left(\frac{I_{ramp(peak)} \times f_{OSC}}{D}\right)} \quad (eq. 5)$$

where R_{CS} is the current sense resistor and $\%slope$ is the percentage of the current downslope to be used for ramp compensation.

The NCP1219 has a peak ramp compensation current of 100 μA . A frequency of 65 kHz with an 80% maximum duty ratio corresponds to an 8.1 $\mu A/\mu s$ ramp. For a typical flyback design, let's assume that the primary inductance is 350 μH , the converter output is 19 V, the V_f of the output diode is 1 V and the $N_p:N_s$ ratio is 10:1. The off time primary current slope is given by Equation 6.

$$\frac{(V_{out} + V_f) \left(\frac{N_p}{N_s}\right)}{L_p} = 571 \frac{mA}{\mu s} \quad (eq. 6)$$

When projected over an R_{CS} of 0.1 Ω (for example), this becomes 57 mV/ μs . If we select 50% of the downslope as the required amount of ramp compensation, then we shall inject 28.5 mV/ μs . Therefore, R_{ramp} is simply equal to Equation 7.

$$R_{ramp} = \frac{28.5 \frac{mV}{\mu s}}{8.1 \frac{\mu A}{\mu s}} = 3.5 k\Omega \quad (eq. 7)$$

Ramp compensation greater than 50% of the inductor down slope can be used if necessary; however, overcompensating will degrade the transient response of the system. The addition of ramp compensation also reduces the total available output power of the system.

Internal Oscillator

The internal oscillator of the NCP1219 provides the clock signal that sets the DRV signal high and limits the duty ratio to 80% (typical). The oscillator has a fixed frequency of 65 kHz or 100 kHz. The NCP1219 employs frequency jittering to smooth the EMI signature of the system by spreading the energy of the main switching component across a range of frequencies. An internal low frequency oscillator continuously varies the switching frequency of the controller by $\pm 7.5\%$. The period of modulation is 6 ms, typical. Figure 34 illustrates the oscillator frequency modulation.

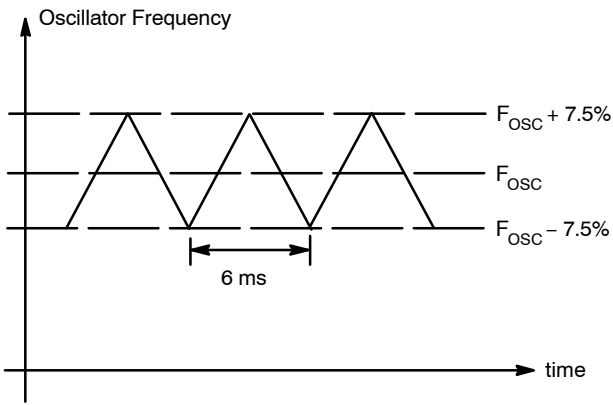


Figure 34. Oscillator Frequency Modulation

Gate Drive

The output drive of the NCP1219 is designed to directly drive the gate of an n-channel power MOSFET. The DRV pin is capable of sourcing 500 mA and sinking 800 mA of drive current. It has typical rise and fall times of 30 ns and 20 ns, respectively, driving a 1 nF capacitive load.

The power dissipation of the output stage while driving the capacitance of the power MOSFET must be considered when calculating the NCP1219 power dissipation. The driver power dissipation can be calculated using Equation 8,

$$P_{DRV} = f_{OSC} \cdot Q_G \cdot V_{CC} \quad (\text{eq. 8})$$

where Q_G is the gate charge of the power MOSFET.

External Latch Input

Board level protection functionality is often incorporated using external circuits to suit a specific application. An external fault condition can be used to disable the controller by bringing the voltage on the Skip/latch pin above the latch threshold, V_{latch} (3.9 V typical). When an external fault condition is detected, the DRV signal is stopped, and the controller enters low current operation mode. The external capacitor C_{CC} discharges and V_{CC} drops until $V_{CC(hiccup)}$ is reached. The high voltage startup circuit turns on and I_{start} charges C_{CC} until $V_{CC(on)}$ is reached. V_{CC} cycles between $V_{CC(on)}$ and $V_{CC(hiccup)}$ until V_{CC} reaches $V_{CC(reset)}$. Voltage must be removed from the HV pin, disabling the startup current and allowing C_{CC} to discharge to $V_{CC(reset)}$. Therefore, the controller is reset by unplugging the power supply from the wall to allow V_{bulk} to discharge. Figure 35 illustrates the timing diagram of V_{CC} in the latch-off condition.

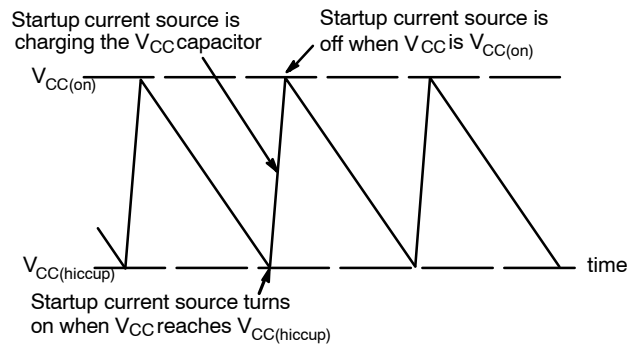


Figure 35. Latch-off V_{CC} Timing Diagram

The external latch feature allows the circuit designers to implement different kinds of latching protection. Figure 36 shows an example circuit in which a bipolar transistor is used to pull the Skip/latch pin above the latch threshold. The R_{LIM} value is chosen to prevent the Skip/latch pin from exceeding the maximum rated voltage. The NCP1219 applications note (AND8393/D) details several simple circuits to implement overtemperature protection (OTP) and overvoltage protection (OVP).

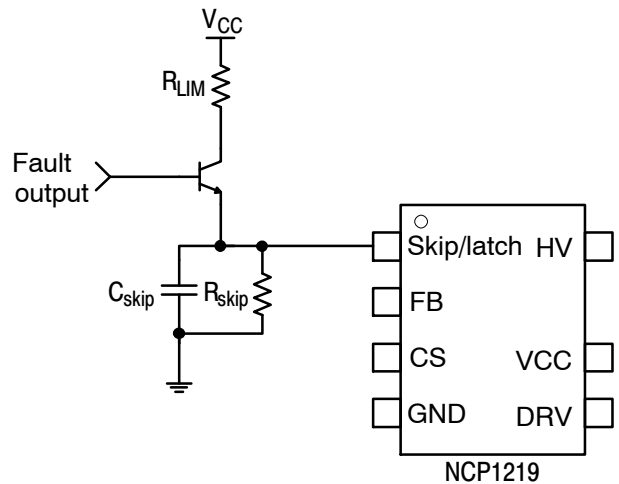


Figure 36. Circuit Example of an External Latch-off Circuit

An internal blanking filter prevents fast voltage spikes caused by noise from latching the part. However, it is recommended that an external filter capacitor be placed as close as possible to the Skip/latch pin to further improve the noise immunity.

Skip Cycle Operation

During standby or light load operation the duty ratio on the controller becomes very small. At this point, a significant portion of the power dissipation is related to the power MOSFET switching on and off. To reduce this power dissipation, the NCP1219 “skips” pulses when the FB level drops below the skip threshold. The level at which this occurs is completely adjustable by setting a resistor on the Skip/latch pin.

By discontinuing pulses, the output voltage slowly drops and the FB voltage rises. When the FB voltage rises above the V_{skip} level, DRV is turned back on. This feature produces the timing diagram shown in Figure 37.

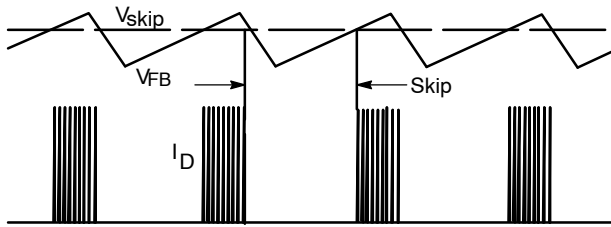


Figure 37. Skip Operation

Skip peak current, $\%I_{CSSKIP}$ is the percentage of the maximum peak current at which the controller enters skip mode. $\%I_{CSSKIP}$ can be any value from 0 to 43% as defined by Equation 9. However, the higher $\%I_{CSSKIP}$ is, the greater the drain current when skip is entered. This increases acoustic noise. Conversely, the lower $\%I_{CSSKIP}$ is, the larger the percentage of energy is expended turning the switch on and off. Therefore, it is important to adjust $\%I_{CSSKIP}$ to the optimal level for a given application.

$$\%I_{CSSKIP} = \frac{V_{skip}}{3V} \cdot 100 \quad (\text{eq. 9})$$

Figure 38 shows the details of the Skip/latch pin circuitry. The voltage on the Skip/latch pin determines the voltage required on the FB pin to place the controller into skip mode. If the pin is left open, the default skip threshold is 1.1 V. This corresponds to a 37% $\%I_{CSSKIP}$ ($\%I_{CSSKIP} = 1.1 \text{ V} / 3.0 \text{ V} * 100\% = 37\%$). Therefore, the controller will enter skip mode when the peak current is less than 37% of the maximum peak current.

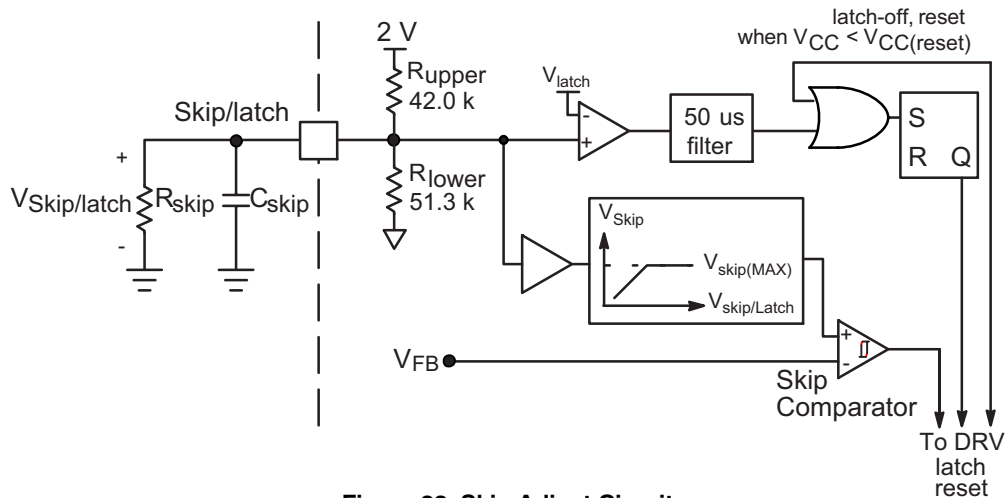


Figure 38. Skip Adjust Circuit

The skip level is reduced by placing an external resistor, R_{skip} , between the Skip/latch and GND pins. Figure 39 summarizes the operating voltage regions of the Skip/latch pin.

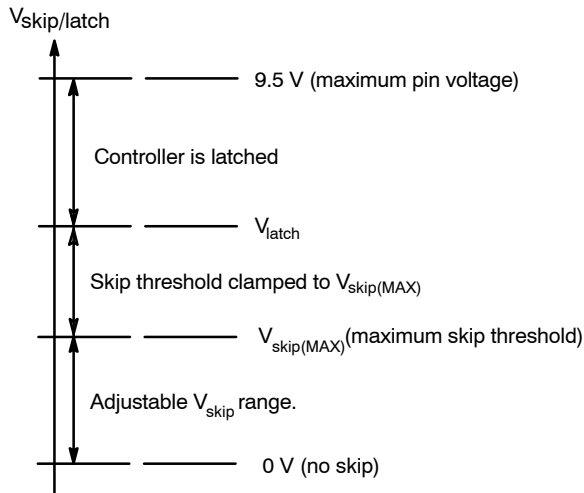


Figure 39. NCP1219 VSkip/latch Pin Operating Regions

Within the adjustable V_{skip} range, the skip level changes according to Equation 10.

$$V_{skip} = \frac{2 V \cdot (R_{lower} \parallel R_{skip})}{(R_{lower} \parallel R_{skip}) + R_{upper}} \quad (\text{eq. 10})$$

An internal clamp limits the skip threshold ($V_{skip(MAX)}$) to 1.3 V. Increasing the voltage on the Skip/latch pin beyond the value of the internal clamp will induce no further change in the skip level. This prevents the act of disabling the controller in the presence of an external latch event from causing it to enter skip mode. The relationship between $\%I_{CSSkip}$, $V_{Skip/latch}$, V_{skip} , and R_{skip} is summarized in Table 4.

Table 4. $\%I_{CSSkip}$ and Skip Threshold Relationship with R_{skip}

| $\%I_{CSSkip}$ | $V_{Skip/latch}$ | V_{skip} | R_{skip} | Comment |
|----------------|------------------|------------|-----------------|---------------------------------------|
| 0% | 0 V | 0 V | 0 Ω | Never skips |
| 12% | 0.36 V | 0.36 V | 11.8 k Ω | – |
| 25% | 0.75 V | 0.75 V | 52.3 k Ω | – |
| 37% | 1.10 V | 1.10 V | Open | Default Skip Threshold |
| 43% | 2.00 V | 1.30 V | – | No further increase in Skip threshold |
| 43% | 3.00 V | 1.30 V | – | No further increase in Skip threshold |

External Non-Latched Shutdown

Figure 40 summarizes the operating regions of the FB pin. An external non-latched shutdown can be easily implemented by simply pulling FB below the skip level. This is an inherent feature of the standby skip operation, allowing additional flexibility in the SMPS design.

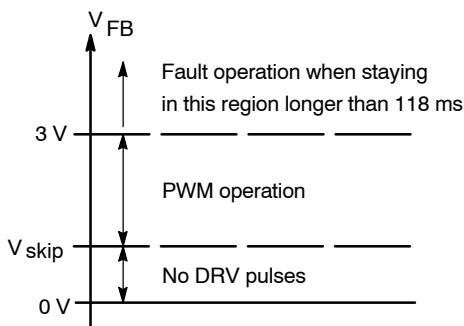


Figure 40. NCP1219 Operation Threshold

Figure 41 shows an example implementation of a non-latched shutdown circuit using a bipolar transistor to pull the FB pin low.

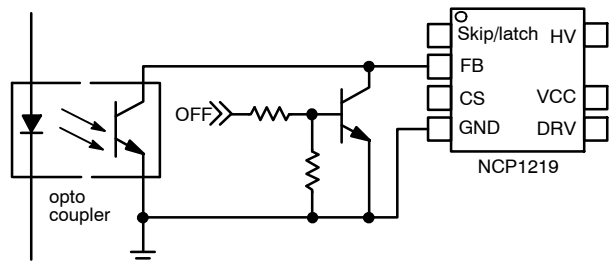


Figure 41. Example Circuit for Non-Latched Shutdown

Overload Protection

Figure 42 details the timer based fault detection circuitry. When an overload (or short circuit) event occurs, the output voltage collapses and the optocoupler does not conduct current. This opens the FB pin and V_{FB} is internally pulled higher than 3.0 V. Since $V_{FB}/3$ is greater than 1 V, the controller activates an error flag and starts a timer, t_{OVLd} (118 ms typical). If the output recovers during this time, the timer is reset and the device continues to operate normally.

NCP1219

However, if the fault lasts for more than 118 ms, then the driver turns off and the device enters the V_{CC} double hiccup mode described earlier.

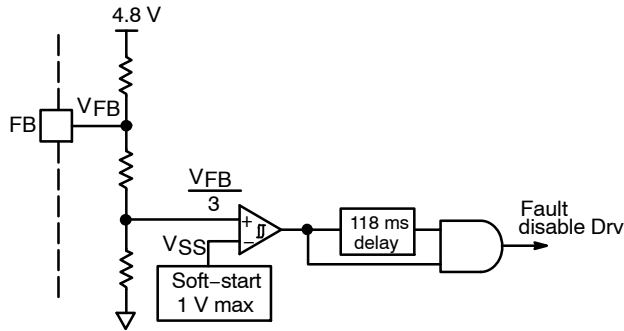


Figure 42. Block Diagram of Timer-Based Fault Detection

The NCP1219 also has an internal temperature shutdown circuit. If the junction temperature of the controller reaches 155°C (typical), the driver turns off and the controller enters double hiccup mode.

Latched and Auto-Retry Options

The NCP1219A offers a latched fault circuitry. An overload fault condition detected by the controller results in a latch-off shutdown, requiring the controller to be reset by cycling V_{CC} (removing the ac line input). NCP1219B provides an auto-retry circuit. All fault conditions except the external latch fault result in the controller entering double hiccup mode, attempting to restart the controller every other V_{CC} cycle, as mentioned earlier.

Table 5. ORDERING INFORMATION

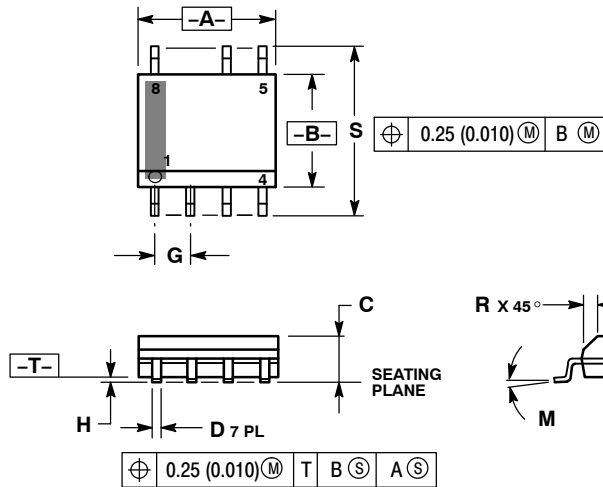
| Device | Overcurrent | Frequency | Package | Shipping [†] |
|-----------------|---------------|-----------|------------------|-----------------------|
| NCP1219AD65R2G | Latch | 65 kHz | SOIC-7 (Pb-Free) | 2500 / Tape & Reel |
| NCP1219BD65R2G | Auto-Recovery | 65 kHz | | |
| NCP1219AD100R2G | Latch | 100 kHz | | |
| NCP1219BD100R2G | Auto-Recovery | 100 kHz | | |

[†]For information on tape and reel specifications, including part orientation and tape sizes, please refer to our Tape and Reel Packaging Specifications Brochure, BRD8011/D.

NCP1219

PACKAGE DIMENSIONS

SOIC-7
CASE 751U
ISSUE E

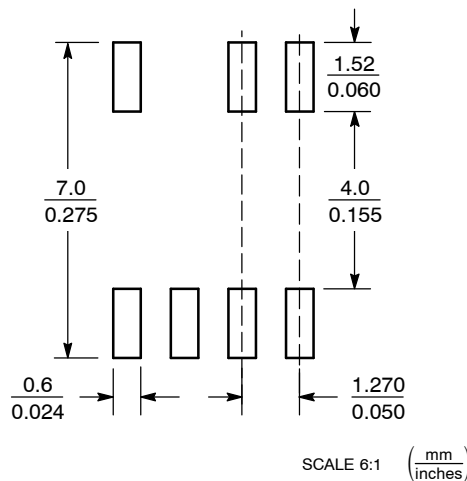


NOTES:

1. DIMENSIONING AND TOLERANCING PER ANSI Y14.5M, 1982.
2. CONTROLLING DIMENSION: MILLIMETER.
3. DIMENSION A AND B ARE DATUMS AND T IS A DATUM SURFACE.
4. DIMENSION A AND B DO NOT INCLUDE MOLD PROTRUSION.
5. MAXIMUM MOLD PROTRUSION 0.15 (0.006) PER SIDE.

| DIM | MILLIMETERS | | INCHES | |
|-----|-------------|------|-----------|-------|
| | MIN | MAX | MIN | MAX |
| A | 4.80 | 5.00 | 0.189 | 0.197 |
| B | 3.80 | 4.00 | 0.150 | 0.157 |
| C | 1.35 | 1.75 | 0.053 | 0.069 |
| D | 0.33 | 0.51 | 0.013 | 0.020 |
| G | 1.27 BSC | | 0.050 BSC | |
| H | 0.10 | 0.25 | 0.004 | 0.010 |
| J | 0.19 | 0.25 | 0.007 | 0.010 |
| K | 0.40 | 1.27 | 0.016 | 0.050 |
| M | 0° | 8° | 0° | 8° |
| N | 0.25 | 0.50 | 0.010 | 0.020 |
| S | 5.80 | 6.20 | 0.228 | 0.244 |

SOLDERING FOOTPRINT*



*For additional information on our Pb-Free strategy and soldering details, please download the **onsemi** Soldering and Mounting Techniques Reference Manual, SOLDERRM/D.

onsemi, **onsemi**, and other names, marks, and brands are registered and/or common law trademarks of Semiconductor Components Industries, LLC dba "**onsemi**" or its affiliates and/or subsidiaries in the United States and/or other countries. **onsemi** owns the rights to a number of patents, trademarks, copyrights, trade secrets, and other intellectual property. A listing of **onsemi**'s product/patent coverage may be accessed at www.onsemi.com/site/pdf/Patent-Marking.pdf. **onsemi** reserves the right to make changes at any time to any products or information herein, without notice. The information herein is provided "as-is" and **onsemi** makes no warranty, representation or guarantee regarding the accuracy of the information, product features, availability, functionality, or suitability of its products for any particular purpose, nor does **onsemi** assume any liability arising out of the application or use of any product or circuit, and specifically disclaims any and all liability, including without limitation special, consequential or incidental damages. Buyer is responsible for its products and applications using **onsemi** products, including compliance with all laws, regulations and safety requirements or standards, regardless of any support or applications information provided by **onsemi**. "Typical" parameters which may be provided in **onsemi** data sheets and/or specifications can and do vary in different applications and actual performance may vary over time. All operating parameters, including "Typicals" must be validated for each customer application by customer's technical experts. **onsemi** does not convey any license under any of its intellectual property rights nor the rights of others. **onsemi** products are not designed, intended, or authorized for use as a critical component in life support systems or any FDA Class 3 medical devices or medical devices with a same or similar classification in a foreign jurisdiction or any devices intended for implantation in the human body. Should Buyer purchase or use **onsemi** products for any such unintended or unauthorized application, Buyer shall indemnify and hold **onsemi** and its officers, employees, subsidiaries, affiliates, and distributors harmless against all claims, costs, damages, and expenses, and reasonable attorney fees arising out of, directly or indirectly, any claim of personal injury or death associated with such unintended or unauthorized use, even if such claim alleges that **onsemi** was negligent regarding the design or manufacture of the part. **onsemi** is an Equal Opportunity/Affirmative Action Employer. This literature is subject to all applicable copyright laws and is not for resale in any manner.

PUBLICATION ORDERING INFORMATION

LITERATURE FULFILLMENT:
Email Requests to: orderlit@onsemi.com

TECHNICAL SUPPORT
North American Technical Support:
Voice Mail: 1 800-282-9855 Toll Free USA/Canada
Phone: 011 421 33 790 2910

Europe, Middle East and Africa Technical Support:
Phone: 00421 33 790 2910
For additional information, please contact your local Sales Representative

Mouser Electronics

Authorized Distributor

Click to View Pricing, Inventory, Delivery & Lifecycle Information:

[onsemi:](#)

[NCP1219AD100R2G](#) [NCP1219BD65R2G](#) [NCP1219BD100R2G](#) [NCP1219AD65R2G](#)